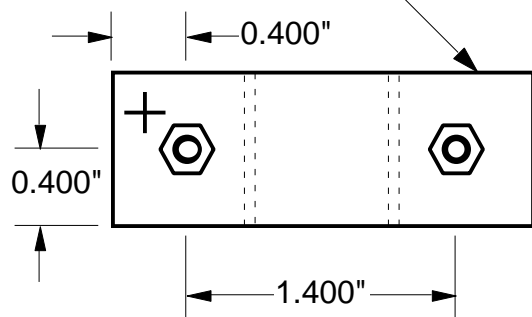


Unit may be shipped with 0.7 or 0.8 inch diameter hole depending on the application.

Potting side



Standard connections are two 12-inch pigtailed AWG 24 red and black output leads.
4-40 aluminum studs (shown) are optional.

D case

Note:

+ indicates collector for switches, positive for DC output sensors. For AC output sensors the + lead will be nearly in phase with current entering the sensor on the potting side.

Smith Research & Technology, Inc.



3109 N. Cascade Ave., Bldg. #201
Colorado Springs, CO 80907-5190
719 634 2259, FAX 719 634 2601

Inductive AC voltage and current sensors

Friday, April 6, 2001 at 9:06:27 A.M.